

SMART CART FOR FEEDERS



The Scienscope modular Smart Feeder Cart represent the ultimate solution for electronic component storage. This state-of-the-art product ensure unparalleled accuracy and ease of use. With our Smart Feeder Cart, you can easily keep track of your inventory with Unique ID numbers for each component directly mounted on the feeder of your choice, enabling swift retrieval from their designated storage location.

Our cutting-edge product boasts advanced features such as automatic feeder placement, removal detection, and multi-color LEDs for simultaneous multi-kitting, ensuring optimal efficiency in your business operations. Furthermore, our Smart Feeder Cart seamlessly integrates with MES systems through a Scienscope component counter, making it the preferred choice for businesses seeking to streamline their electronic component management. Choose the optimal configuration to transform your business with our expertise.

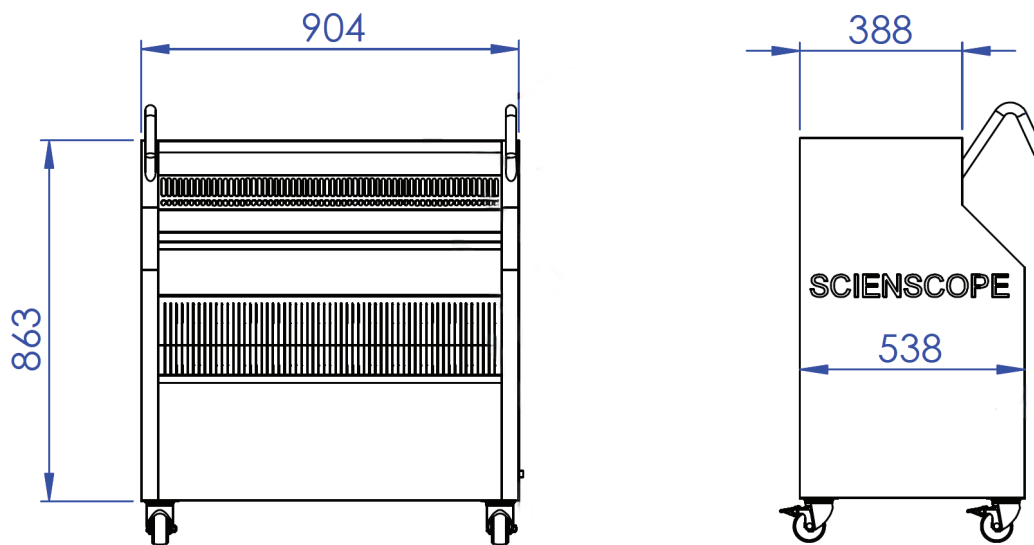


FEATURES

- ERP and MES System integration
- Sensors detect when and where feeders together with reels are pulled or placed
- Easy-to-use software PC or PDA
- Easy to move (ESD Caster)
- Multi-color LED allows color-coded multi-kitting simultaneously
- Small footprint
- Full traceability with UID
- Compatible with Component Counter and IMS Systems
- The capacity of the racks depends on the type of feeder selected
- Industrial PC: Microsoft Windows 11

SMART CART FOR FEEDERS

Smart Cart for Feeders	Mobile function	Wifi and UPS included
	Lithium battery module	24v20Ah
	Feeder Limit plate	Support 60 08F FEEDER
	Feeder Guide plate	Support 60 08F FEEDER
	Reel partitions	59
	Weight	60 kg
	Dimensions	904 mm X 863 mm X 538 mm



OPTIONS



Retrofit upgrade available for certain existing carts, as shown in the images.

Upgrade package includes:

- Sensors for feeders
- Control circuit
- Battery
- Wifi module
- The latest WMS 3.0 software

PC not included.